



**ECO
GATE**

ENABLED

ITW GSE

2400 POWER COIL

90 kVA solid-state GPU and cable coil
- in one enclosure



PLUG & PLAY
UNIQUE VOLTAGE QUALITY



ITW GSE 2400

ITW GSE 2400

It's all about connections



THE AESTHETIC POWER SOLUTION

The ITW GSE 2400 Power Coil includes a 400 Hz, 90 kVA power supply and a cable coil in one single enclosure. This leaves the PBB and the apron nice, neat and pleasant to look at. Especially, where glass bridges is the preferred solution, the aesthetic aspect is important. The Power Coil works perfectly well with all sizes of bridges and all types of aircraft.

INNOVATIVE SOLUTION, BASED ON EXPERIENCE

The 2400 Power Coil offers a highly reliable and robust design including a front plate in stainless steel. The Power Coil has an improved cable guidance system that ensures easy and smooth cable handling. As a standard, the Power Coil comes with standard ITW GSE cable (24 m or 28 m useable length). The cable is rolled completely into the housing after use. The rolling automatically stops when the plug head reaches the lower edge of the Power Coil thus leaving the apron free.

SUPPLY ALL AIRCRAFT INCL. PF1

The 2400 Power Coil is based on the ITW GSE

design and provides all performance features from the well-known 2400 Compact GPU i.e. the unique voltage quality and the 400% overload at output as a standard. Further, it is equipped with the smart ITW GSE user interface. And software can be updated via USB. The Power Coil also includes standard overload capabilities that match all types of aircraft even those requiring Power Factor 1 like the B787/A350/A380.

ECOGATE - ADVANCING GATE ECONOMICS

By linking your ITW GSE ground support equipment together in an integrated system, EcoGate unlocks new efficiencies and removes power-related barriers to affordable progress at the gate. As the heart of EcoGate, the ITW GSE 3500 PCA uses Intelligent Power Management to monitor power consumption and needs, and then distribute power dynamically to units that need it most. This means the ITW GSE 2400 Power Coil is automatically allocated the power it needs from the 3500 - the PCA simply adjusts its own consumption to make sure total gate power capacity is never exceeded.

INNOVATIVE DESIGN

The ITW GSE 2400 Power Coil consists of a 90 kVA solid-state converter and a cable drum in one enclosure. The completely encased unit is less susceptible to effects from exposure to the elements, such as sunlight and harsh weather. This minimizes the overall maintenance costs. And what's more, the 2400 Power Coil saves space and weighs up to 40% less compared to a traditional solution with a separate GPU and a separate coil. The frequency controlled direct driven coil with its robust cable guidance system, provides smooth coiling and less mechanical stress. All in all, the Power Coil is a very reliable power supply system, built to last. For power requirements above 90 kVA, two or more Power Coils are installed side by side.

QUICK INSTALLATION

Traditionally, a 400 Hz ground power solution for passenger boarding bridges is made up of entirely separate systems or parts. These typically include a GPU, a cable handling system, interconnection cable and aircraft cable; components that are usually sourced from different suppliers and require separate on-site installation and testing.

The ITW GSE Power Coil combines all these parts in one state-of-the-art unit that comes fully tested and adjusted from the factory - ready to be placed under the PBB. Mount the unit under the bridge, connect the input cable and the power coil is ready for use. This is easy and helps you save time and money!

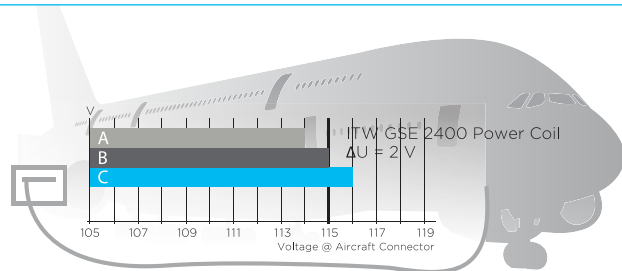


SUPPLY ALL AIRCRAFT INCL. PF1

The 2400 Power Coil is a true Power Factor 1 ground power unit. Its standard overload capabilities match all types of aircraft from the narrow-body to the wide-body incl. aircraft requiring Power Factor 1 like the B787/ A350/A380.

UNIQUE VOLTAGE QUALITY

The output voltage quality of the 2400 Power Coil is unique due to ITW GSE's Plug & Play system. The Power Coil is even designed to fulfil the ISO 6858:2017(E) standard that requires max. phase unbalance of less than 4 V and a phase angle of $120^\circ \pm 2.5^\circ$.



The ITW GSE 2400 Power Coil fulfils the ISO 6858:2017(E) standard

COMMON DESIGN PLATFORM

The backbone of all ITW GSE design is our common design platform that offers significant advantages. All products are equipped with the ITW GSE operator interface that is easy and intuitive to use. This is your guarantee for correct operation and on-time aircraft departures. The operator interface is common from one ITW GSE product to another. Therefore, airport staff familiar with one ITW GSE product can easily switch to another as the icons and display are the same. The operator only has to press the combined start/stop button. Also, he can monitor various parameters such as voltage and current at the display screen.



DOWNLOADS AND UPDATES

The software-based control system means your ITW GSE 2400 Power Coil can be updated and given additional capabilities in the future, simply by transferring new software from a USB stick/flash drive. Service log files and maintenance data can also be transferred the same way for analysis and to help ensure more efficient back-office procedures and more effective facility management.



SPECIFICATIONS

ITW GSE 2400 Power Coil

Specifications for GPU Output

- Power: 90 kVA PF 0,8-1
- Voltage: 3 x 115/200 V
- Frequency: 400 Hz \pm 0,1 %
- Power factor: 0,7 lagging to 0,95 leading
- Voltage regulation: $<$ 0,5% for balanced and up to 30% unbalanced loads
- Voltage recovery: Δ $<$ 8% and rec. time $<$ 10 ms at 100% load change
- Total harmonic content: $<$ 2% at linear load (typ. 1,5%) $<$ 2% at non linear load according to ISO 1540
- Crest factor: 1,414 \pm 3%
- Voltage modulation: $<$ 1,0%
- Phase angle symmetry: 120° \pm 1° for balanced load 120° \pm 2° for 30% unbalanced load

Protection

- Protection class: IP55
- No break power transfer
- Over/under voltage at output
- Overload
- Internal high temperature
- Control voltage error
- Short circuit at output
- GPU Enable
- 90% switch interlock
- Neutral voltage supervision
- Broken neutral supervision
- Leakage current supervision

Environmental

- Operating temperature: -40°C to +56°C (-40°F to 132°F) (+60°C (140°F) at Aircraft Load)
- Relative humidity: 10-100%
- Noise level: $<$ 65 dB(A)@1m

Efficiency

- Overall efficiency: 0,94 at 35-90 kVA load PF 0,8 0,90 at 25 kVA load PF 0,8
- Stand by losses: 65 W
- No load losses: 2,2 kW

Miscellaneous

- MTTR: max. 20 minutes
- Colour: RAL 7035 (standard)
- Weight: 700 kg (1,543 lbs.)

*Products sold outside Americas

**Find more information about the 400 Hz Aircraft Cable Assembly at itwgse.com/cables

Specifications are subject to change without prior notice

Norms and Standards

- DFS400 Specification for 400 Hz aircraft power
 - ISO 6858:2017(E) Aircraft ground support electric supplies
 - BS 2G 219 General requirements for ground support equipment
 - MIL-STD-704F Aircraft electric power characteristics
 - SAE ARP 5015 Ground equipment 400 Hz ground power performance requirement
 - EN2282 Aerospace series characteristics of aircraft electrical supplies
 - EN62040-1-1 General & safety requirement
 - EN61558-2-6 General & safety requirement
 - EN61000-6-4 Electromagnetic compatibility
 - EN61000-6-2 Generic emission standard
 - EN1915-1&2 Generic immunity standard
 - EN12312-20 Machinery; general safety requirements
 - UL 355 Machinery; general safety requirements
 - ETL Cord Reels
- Listed to above UL standard (Only 480 V version)

Cable/Connector**

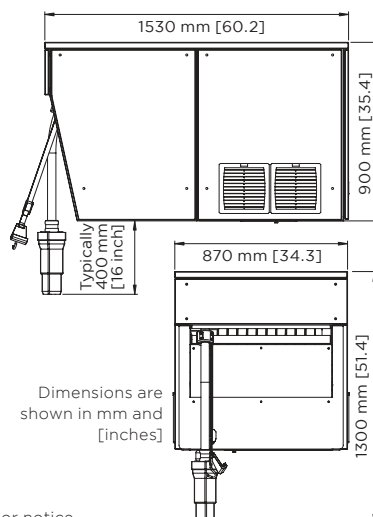
- Special twisted highly flexible cable harness for power transfer from fixed part to moving part
- 24 m (79 ft) or 28 m (92 ft) flexible composite cable
- Aircraft connector with:
 - Start/stop push buttons
 - Cable IN/OUT push buttons
 - Replaceable pins & front
 - Indication LEDs*
 - Split F-pin
 - PTC 100 thermal protection (optional)

Electro Mechanical System

- Cable drum with spiral cable trace
- 1,1 kW gear motor
- VFD for gear motor
- Coiling speed 40 m/min

Protection

- Cable blocked
- Motor overload



Common specification for GPU & Coil Input

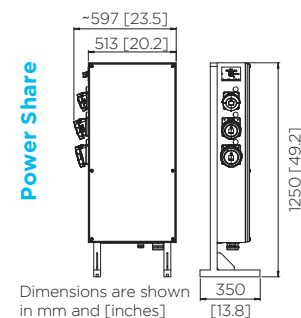
- Voltage range: 3 x 400 V \pm 15%*
- Rated current: PF (load) 0,8 / PF 1 111 A \pm 15% / 141 A \pm 15%*
- Voltage range: 3 x 480 V \pm 10%
- Rated current: PF (load) 0,8 / PF 1 93 A \pm 15% / 118 A \pm 15%
- Frequency: 50/60 Hz \pm 5 Hz
- Rectification: Magnetic wave-shaping incl. 12-pulse rectification
- Line current distortion: $<$ 5%
- Power factor: 90 kVA: 1 @ nominal load
- Inrush current: None

Overload Ratings

- 125% for 600 seconds
- 150% for 60 seconds
- 200% for 30 seconds
- 300% for 10 seconds
- 400% for 1 second

Available standard options

- RS485
- Apron mounting stand*
- Power Share: 50/60 Hz receptacle for charging eGPUs or other AC units



It's all about connections

